

# ***SUPERTECHNO***

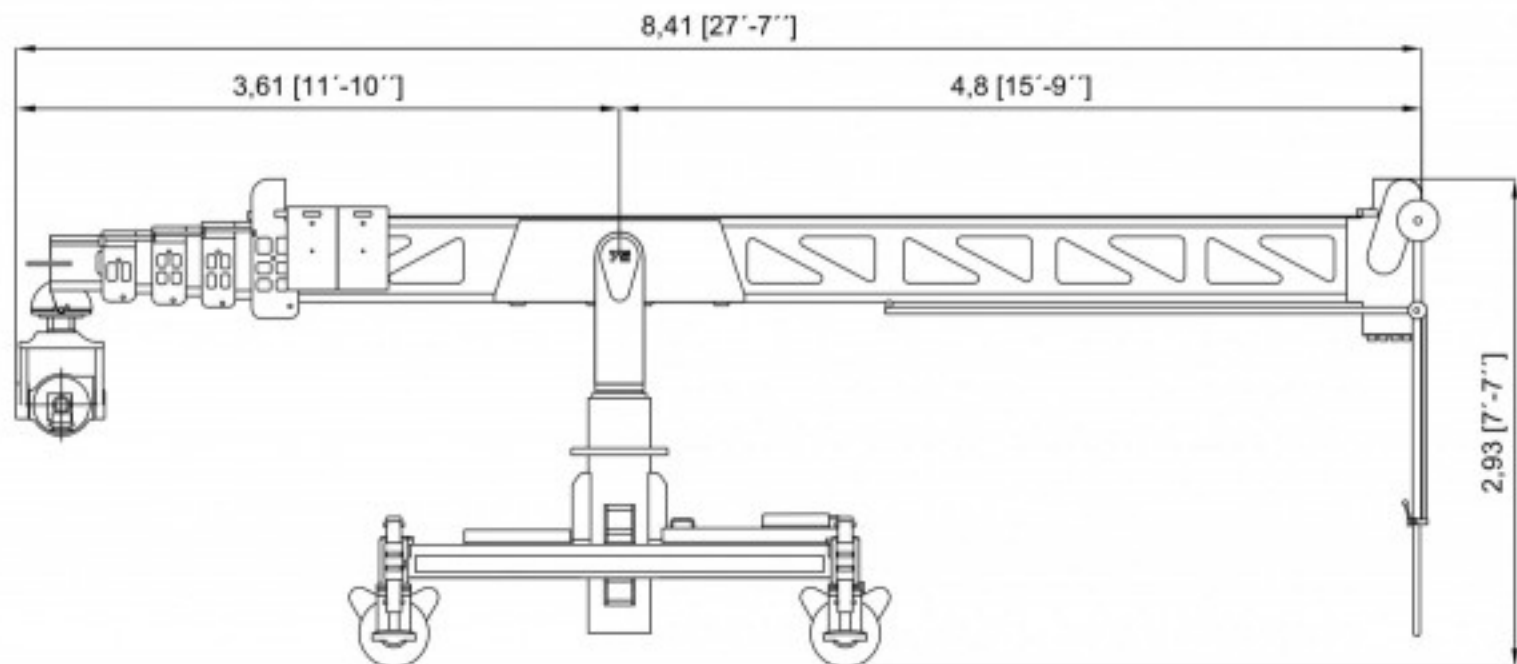
## 75+

### **Supertechno 75+ Specs:**

Max overslung lens height	80'
Max underslung lens height	75'
Telescoping travel	62' - 8"
Telescoping max speed	7' - 4" per sec
Full extension reach from post	74" - 4"
Full retracted reach from post	11' - 1"
Rear length from post	15' - 9"
Overall length of arm retracted	26' - 10"
Overall length extended	90' - 1"
Min clearance	9' - 8"
Max arm tilt angle	59 degrees
Base width	7' - 4" (11' - 6" w outriggers)
Base length	10' - 3"
Max payload	155 lbs underslung, 99 lbs over
Base with wheels	3527 lbs
Crane arm	3858 lbs
Counter weights	2976 lbs
Empty crane and arm weight	8,488 lbs
Total crane weight with payload	11,600 lbs

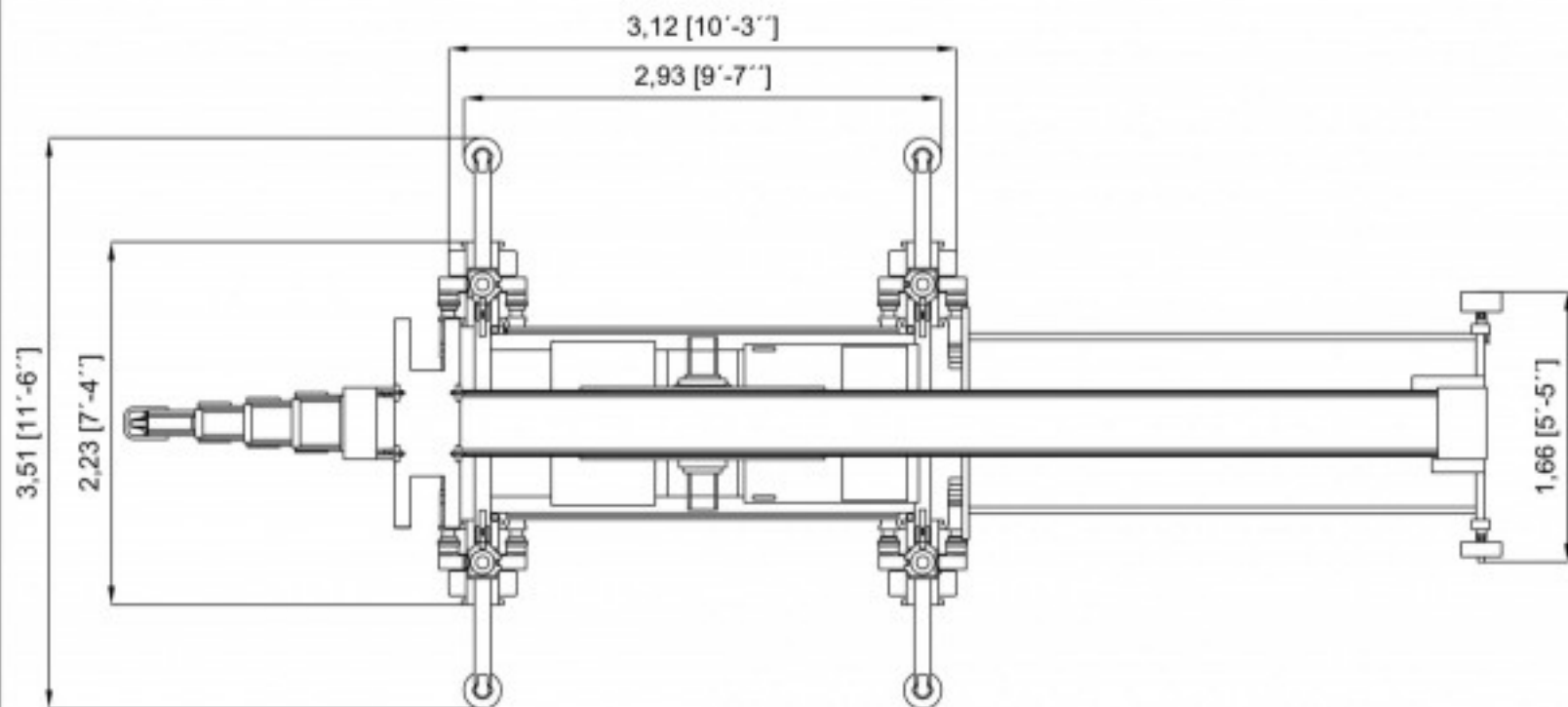
# ***SUPERTECHNO 75 PLUS***

Max. lens height:	22,86 m / 75 ft.
Max. telescopic extent:	19,1 m / 63 ft.
Max. camera weight:	35 kg / 80 lb
Total weight:	5250 kg / 11600 lb
Max. speed:	2,5 m/s



# ***SUPERTECHNO 75 PLUS***

Max. lens height:	22,86 m / 75 ft.
Max. telescopic extent:	19,1 m / 63 ft.
Max. camera weight:	35 kg / 80 lb
Total weight:	5250 kg / 11600 lb
Max. speed:	2,5 m/s



# **SUPERTECHNO 75 PLUS**

Max. lens height:	22,86 m / 75 ft.
Max. telescopic extent:	19,1 m / 63 ft.
Max. camera weight:	35 kg / 80 lb
Total weight:	5250 kg / 11600 lb
Max. speed:	2,5 m/s

