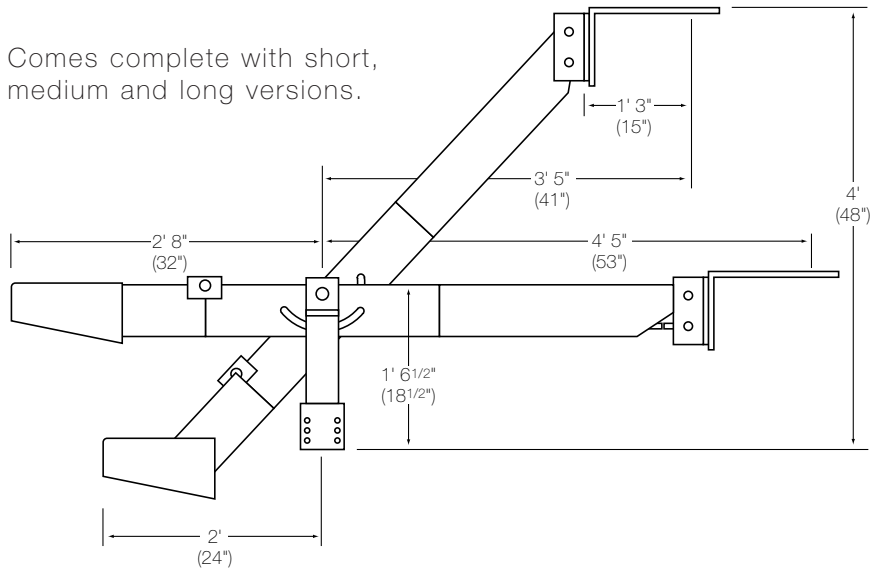


# AEROJIB SHORT

## Aerocrane

Comes complete with short, medium and long versions.



## Technical Specifications

### Length

Pivot to Nose	4' 5" (53")
Pivot to Bucket	2' 8" (32")
Nose to Bucket	7' 1" (85")
Length@Max Ht.	3' 5" (41")

### Max Weight on Arm

100 lbs.

### Weights

Large	28 lbs.
Small	13 lbs.

### Carrying Weight

With Basic Accessories 100 lbs.

### Transportation Weight

Approx. 400 lbs.

### Above Ground Height

Ground Level  
to Max 4' (48")

### Below Ground Height

Ground Level  
to Min. -1' (-12")

### Set-Up Time

5-10 minutes

### Arm Dimensions

2 1/4" W x 6 1/4" H

### Window Clearance

Approximately 5"

## Accessories

### Standard

- Mitchell Mount Nose
- Ball Mount Nose
- Euro Mount Nose
- Mitchell Mount Base Plate
- Euro Mount Base Plate
- 10 Large Weight @28 lbs.
- 4 Small Weight @13 lbs.

### Optional

- Aeroslider (See Aeroslider page following Aero Jib Arms)

## Features

- Quick set-up time
- Weather proof
- Adjustable drag for pan and tilt
- Movable counter-weight
- Camera can be top mounted or underslung

## Aerocrane

16139 Wyandotte • Van Nuys • CA • 91406  
www.aerocrane.com

Phone:  
(888) 766-0650

Fax:  
(818) 785-5683

Hours of Operation:  
8:30am-5pm Mon.-Fri.  
By Appt. Sat. 24 hr. O/C

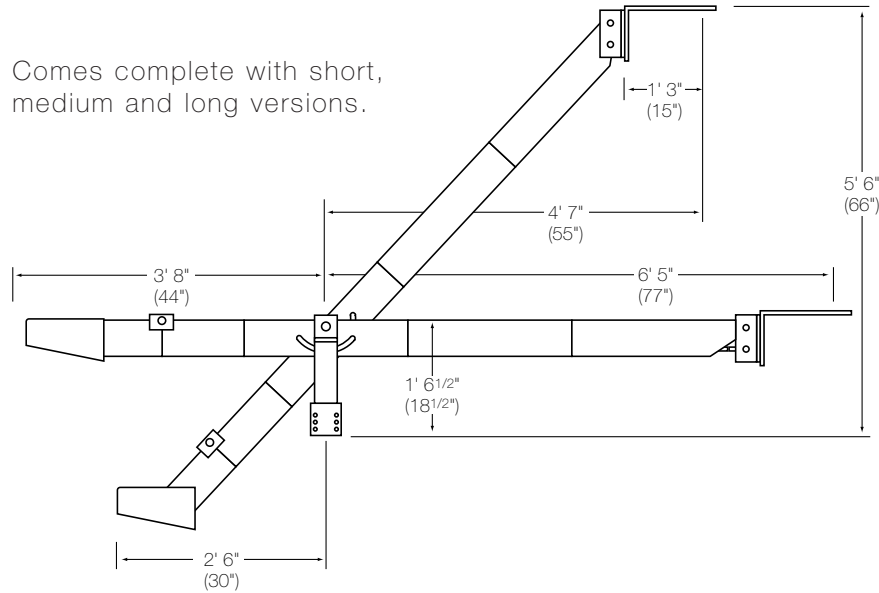
Pick-Up and Delivery Available



# AEROJIB MEDIUM

## Aerocrane

Comes complete with short, medium and long versions.



## Technical Specifications

### Length

Pivot to Nose	6' 5" (77")
Pivot to Bucket	3' 8" (44")
Nose to Bucket	10' 1" (121")
Length@Max Ht.	4' 7" (55")

### Max Weight on Arm

100 lbs.

### Weights

Large	28 lbs.
Small	13 lbs.

### Carrying Weight

With Basic Accessories 100 lbs.

### Transportation Weight

Approx. 400 lbs.

### Above Ground Height

Ground Level to Max	5' 6" (66")
---------------------	-------------

### Below Ground Height

Ground Level to Min.	-2' (-24")
----------------------	------------

### Set-Up Time

5-10 minutes

### Arm Dimensions

2 1/4" W x 6 1/4" H

### Window Clearance

Approximately 5"

## Accessories

### Standard

- Mitchell Mount Nose
- Ball Mount Nose
- Euro Mount Nose
- Mitchell Mount Base Plate
- Euro Mount Base Plate
- 10 Large Weight @28 lbs.
- 4 Small Weight @13 lbs.

### Optional

- Aeroslider (See Aeroslider page following Aero Jib Arms)

## Features

- Quick set-up time
- Weather proof
- Adjustable drag for pan and tilt
- Movable counter-weight
- Camera can be top mounted or underslung

## Aerocrane

16139 Wyandotte • Van Nuys • CA • 91406  
www.aerocrane.com

Phone:  
(888) 766-0650

Fax:  
(818) 785-5683

Hours of Operation:  
8:30am-5pm Mon.-Fri.  
By Appt. Sat. 24 hr. O/C

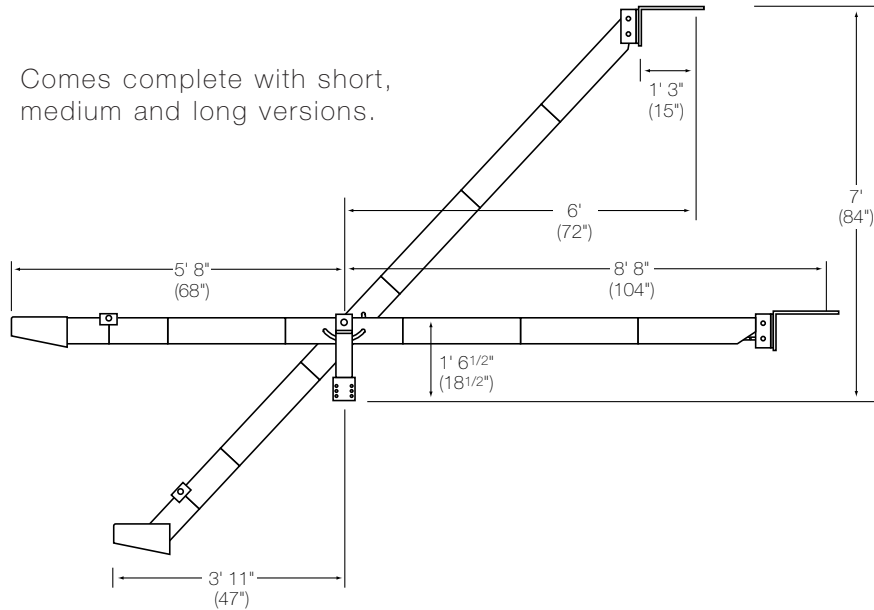
Pick-Up and Delivery Available



# AEROJIB LONG

## Aerocrane

Comes complete with short, medium and long versions.



## Technical Specifications

### Length

Pivot to Nose	8' 8" (104")
Pivot to Bucket	5' 8" (68")
Nose to Bucket	14' 4"
Length@Max Ht.	6' (72")

### Max Weight on Arm

100 lbs.

### Weights

Large	28 lbs.
Small	13 lbs.

### Carrying Weight

With Basic Accessories 100 lbs.

### Transportation Weight

Approx. 400 lbs.

### Above Ground Height

Ground Level  
to Max 7' (84")

### Below Ground Height

Ground Level  
to Min. -4' (-48")

### Set-Up Time

5-10 minutes

### Arm Dimensions

2 1/4" W x 6 1/4" H

### Window Clearance

Approximately 5"

## Accessories

### Standard

- Mitchell Mount Nose
- Ball Mount Nose
- Euro Mount Nose
- Mitchell Mount Base Plate
- Euro Mount Base Plate
- 10 Large Weight @28 lbs.
- 4 Small Weight @13 lbs.

### Optional

- Aeroslider (See Aeroslider page following Aero Jib Arms)

## Features

- Quick set-up time
- Weather proof
- Adjustable drag for pan and tilt
- Movable counter-weight
- Camera can be top mounted or underslung

## Aerocrane

16139 Wyandotte • Van Nuys • CA • 91406  
www.aerocrane.com

Phone:  
(888) 766-0650

Fax:  
(818) 785-5683

Hours of Operation:  
8:30am-5pm Mon.-Fri.  
By Appt. Sat. 24 hr. O/C

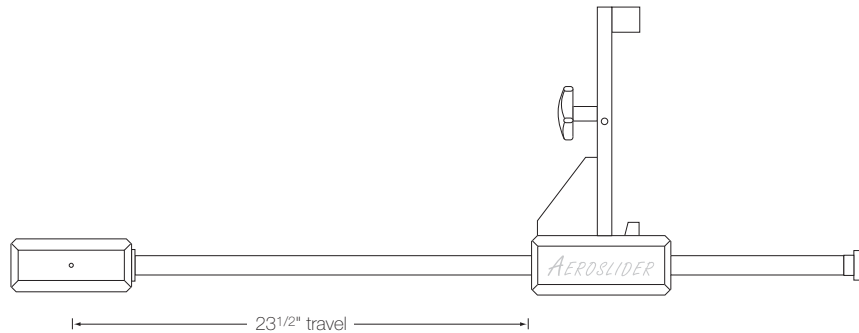
Pick-Up and Delivery Available



# AEROSLIDER

## Aerocrane

Designed for optimum performance w/Aerocrane Jib Arm



## Technical Specifications

Height	Width	Length	Carrying Weight
2"	9 1/2"	2' 10"	28 lbs.

### !! Caution !!

These specs. are included for general information only. Because of the many variables which affect the performance of the product, one should contact the source for more specific information.

## Features

- Quiet operation
- Mounts to Mitchell or Euromounts
- Hardened steel rods
- Precision linear bearings
- Max camera load 90 lbs.

## Aerocrane

16139 Wyandotte • Van Nuys • CA • 91406  
www.aerocrane.com

Phone:  
(888) 766-0650

Fax:  
(818) 785-5683

Hours of Operation:  
8:30am-5pm Mon.-Fri.  
By Appt. Sat. 24 hr. O/C

Pick-Up and Delivery Available

