

# SCORPIO 23'

## Scorpio 23 Specs:

Max lens height	21'
Max overslung lens height	23'- 6"
Telescoping travel	18'
Telescoping max speed	6' per sec
Full extension reach from post	23'
Full retracted reach from post	5"
Rear length from post	6'
Overall length of arm retracted	11'
Overall length extended	29
Min clearance	6'- 7"
Max arm tilt angle	55 degrees
Base width outside tire to tire: Wide (1M track width)	4'- 8"
Medium (24.5" standard track width)	3'- 5"
Narrow (no track)	2'- 5"
Base length	5'- 5" to 6'-2"
Max payload	154    lbs
Total crane weight no payload or counterweight	1322.8 lbs
Total crane weight with payload	2425    lbs
Arm weight	562.2   lbs
Base weight	415.6   lbs
10' section of GI track	50      lbs

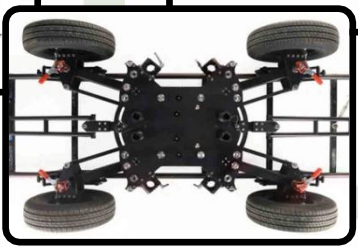
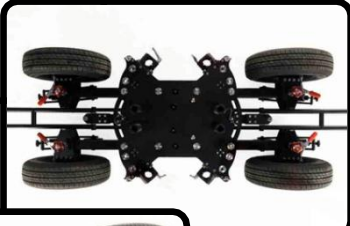
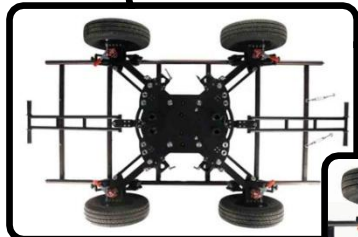
# *Scorpio 23'*



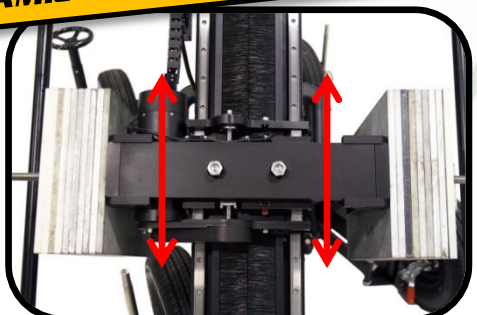
*High speed, smooth and silent.*



**DOLLY WITH ARTICULATED  
WHEELS, BRAKES AND  
LEVELING JACKS**



**INCORPORAES AN EXCLUSIVE  
"DYNAMIC COUNTERWEIGHT SYSTEM"**



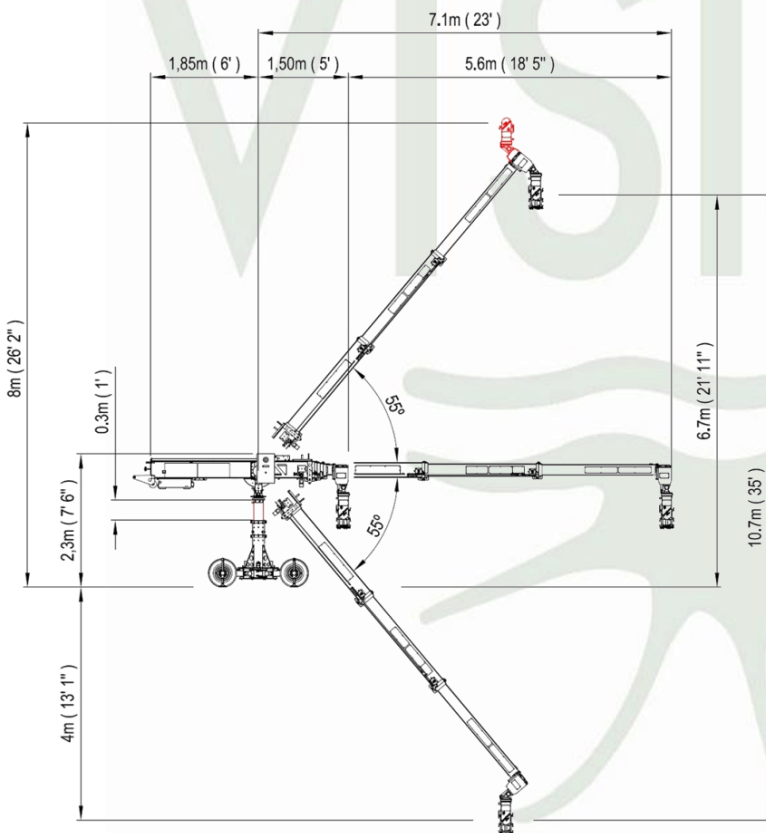
**REMOVABLE  
TRAVELLING WHEELS**



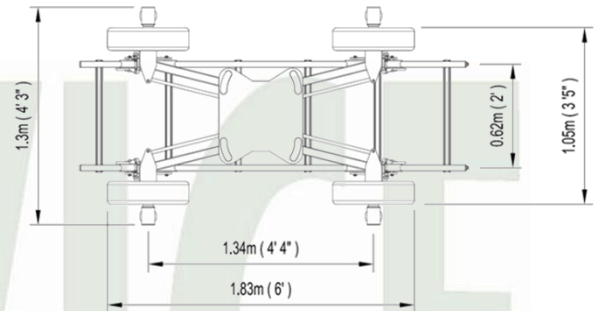


## Features:

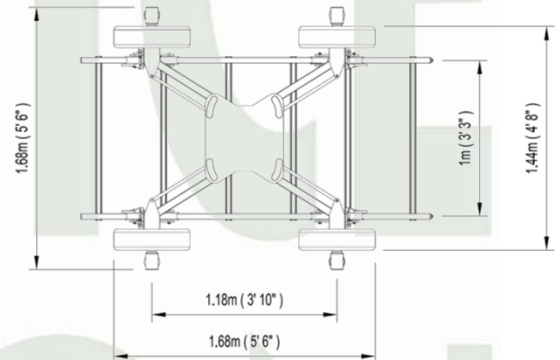
- Dynamic Counterweight System: Electronic adjust for the counterweight support activated automatic or by the hand command.
- The arm-fulcrum, as the column or the dolly are totally independents from each other. It's possible to assembly the arm (fulcrum included) in other column or dolly for special needs.
- Automatic compensator of the arc generated by the movement of the arm in both horizontal and vertical.
- Programmable limits on the telescopic movement of the arm.
- Movement generator of the telescopic arm in relation to the horizontal or vertical movement.
- Arm speed adjustable and displayed on the screen.
- Arm stop damping adjustable and displayed on the screen.
- Overslung and Underslung capability
- Screen display of the arm range, vertical and horizontal angles, height to the optic axis in meters and feet.
- Programmable stop sequence.
- TILT, PAN and arm encoder reading for the Motion Capture jobs.
- Smooth movement in both high and slow speed.
- Noise reduction system of the telescopic arm movement.
- Mechanical lift for the telescopic column.
- Adjustable width with articulated arms with lockable positions.
- Tracking wheels: Adjustable to all track gauges: 0.62 m (2') and 1 m (3' 3").
- Pneumatic wheels: Adjustable width from 0.735 m (2' 5"), and 1,44 m (4' 8").



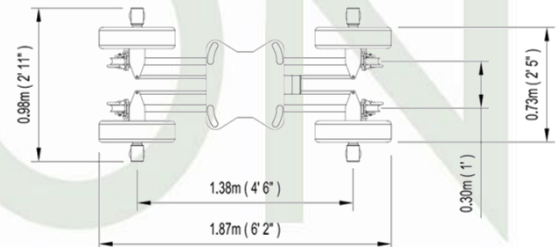
## 0.62 m (2') TRACKS



## 1 m (3' 3") TRACKS



## SMALLEST CONFIGURATION (FOR TRANSPORT ONLY)



## Technical specifications:

- Maximum length: 7.1 m (23')
- Minimum length: 1.5 m (5')
- Back length of the arm: 1.85 m (6')
- Telescopic range: 5.6 m (18')
- Max. optical axis height: 6.7 m (21')
- Telescopic column maximum extension: 0.3m (1')
- Weight: 600 kg (1322.8 lb)
- Max. Weight with counterweight: 1100 kg (2425 lb)
- Loading capacity in Underslung position: 70 kg (154lb)
- Loading capacity in Overslung position: 35 kg (77lb)
- Required power: 220 V / 16 A - 110 V / 16 A
- Output power for the remote head: 30 V / 20 A
- Output power for the monitor: 12 V / 3 A
- Max. speed: 1.8 m/s

## SERVICEVISION BIS S.L.

Calle Ríos Rosas, 20  
08940 Cornellà de Llobregat  
Barcelona, Spain  
Phone +34 93 2238630  
Fax +34 93 2238631  
comercial@servicevision.es  
[www.servicevision.es](http://www.servicevision.es)



@servicevision



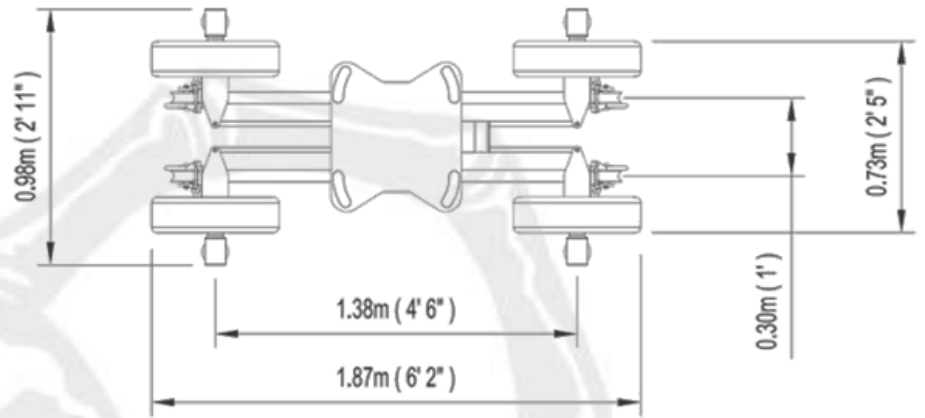
@servicevision\_scorpio



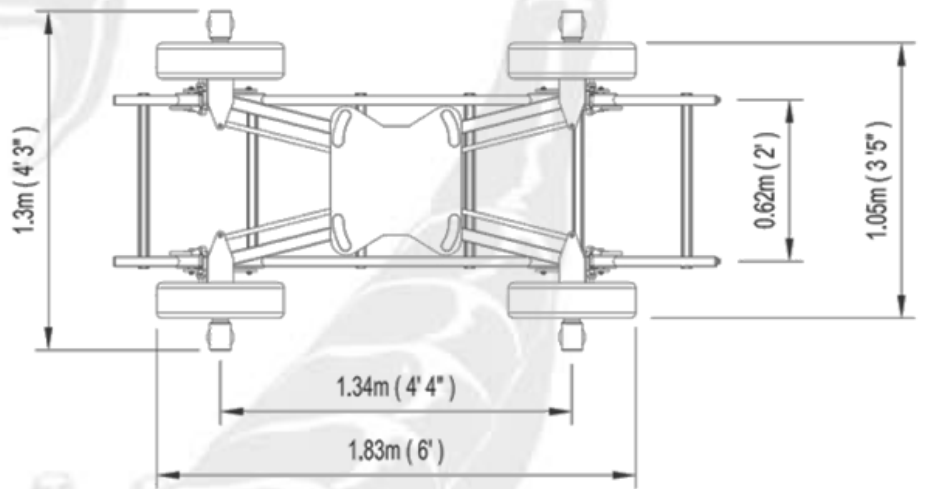
@ServicevisionScorpio

**SMALLEST POSITION**

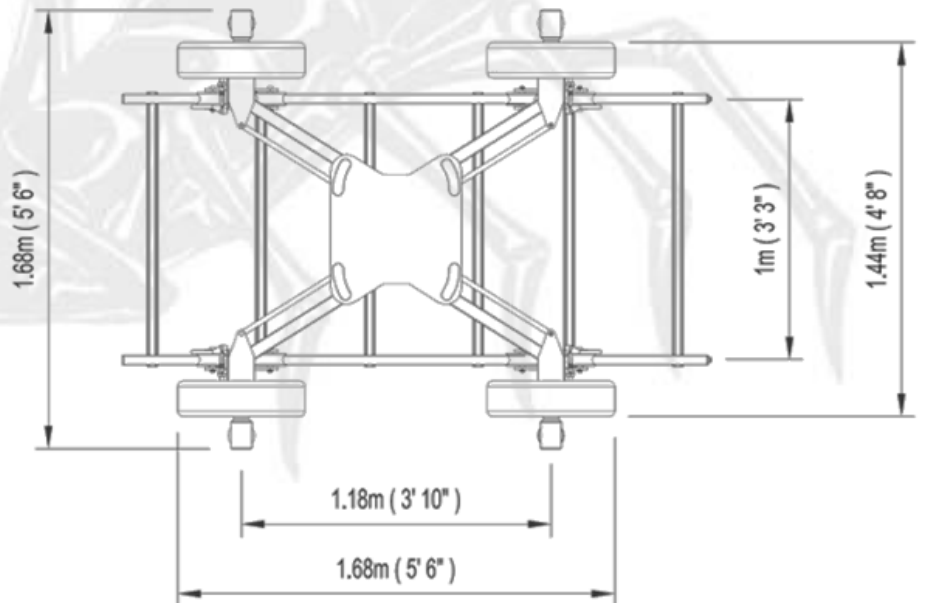
(ONLY TO GO THROUGH A DOOR)



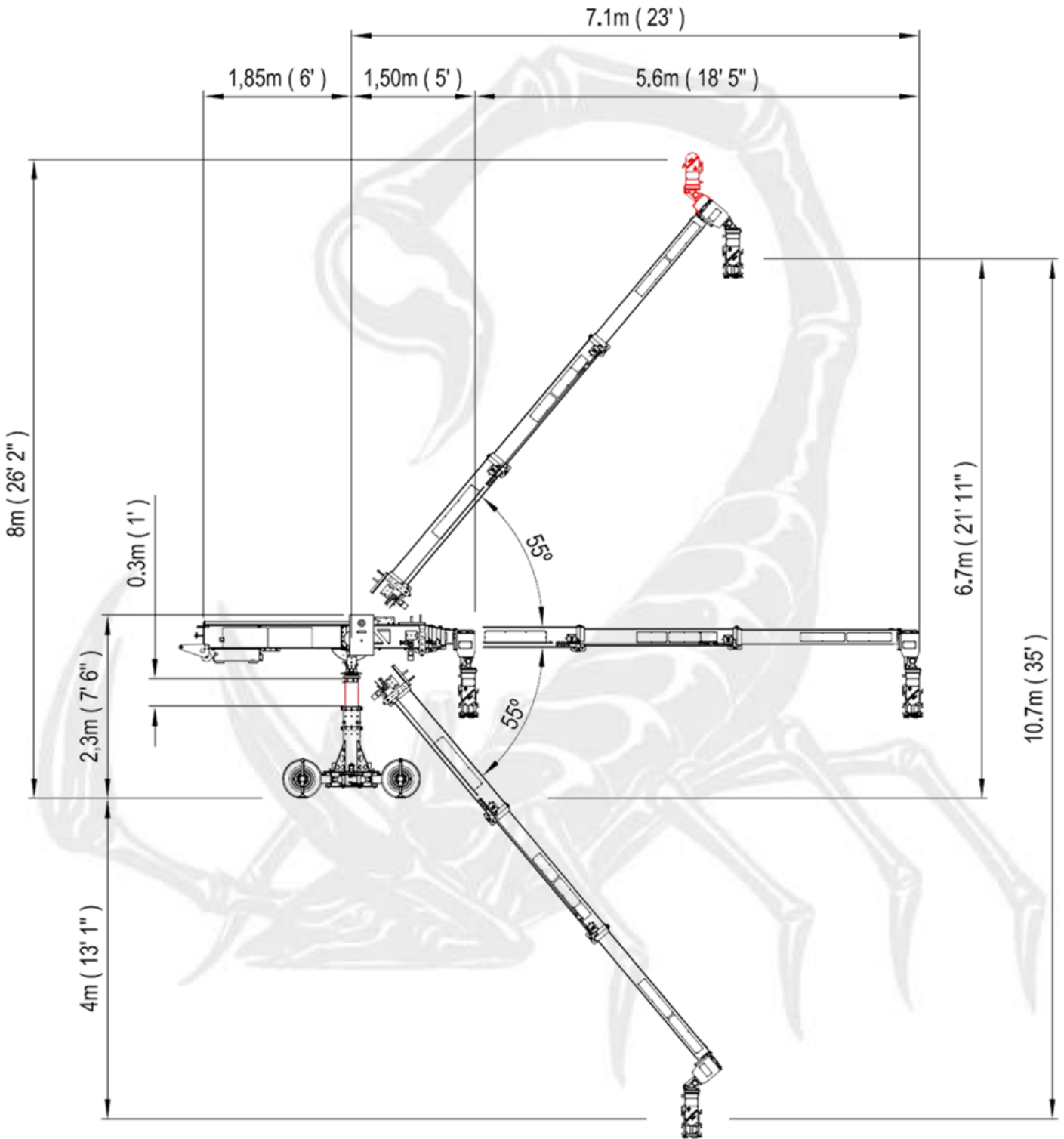
**0.62M / 2' TRACK**



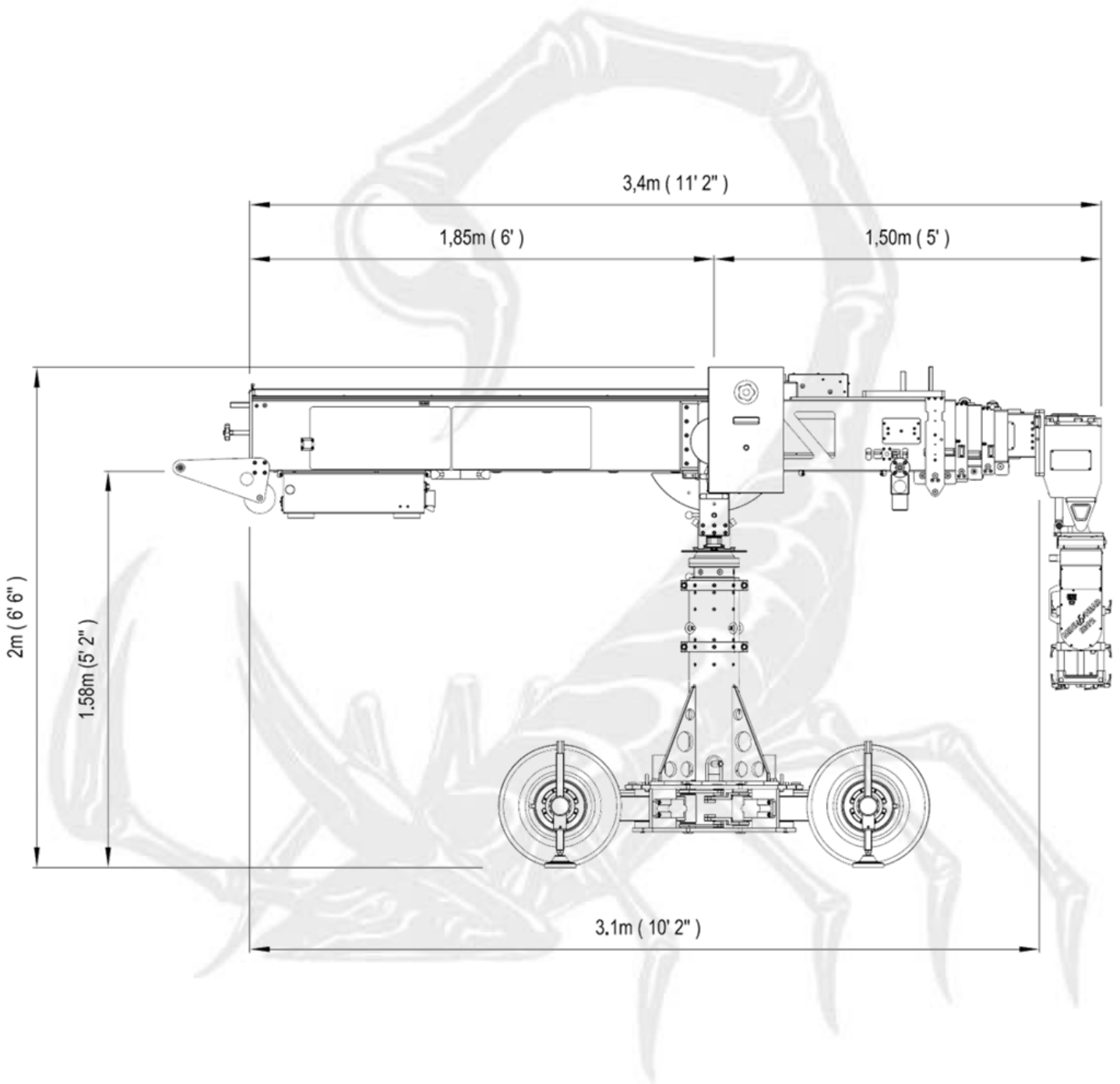
**1M / 3' 3'' TRACK**



# SCORPIO 23'



# SCORPIO 23'



**SERVICEVISION BIS S.L.**

Calle Ríos Rosas, 20  
08940 Cornellà de Llobregat  
Barcelona, Spain  
Phone +34 93 2238630  
Fax +34 93 2238631  
[comercial@servicevision.es](mailto:comercial@servicevision.es)

[WWW.SERVICEVISION.ES](http://WWW.SERVICEVISION.ES)

**SERVICEVISION USA**

12035 Sherman Way  
North Hollywood  
CA 91605 USA  
Phone +1 (818) 623 1970  
Fax +1 (818) 623 1975  
[rental@servicevisionusa.com](mailto:rental@servicevisionusa.com)

[WWW.SERVICEVISIONUSA.COM](http://WWW.SERVICEVISIONUSA.COM)