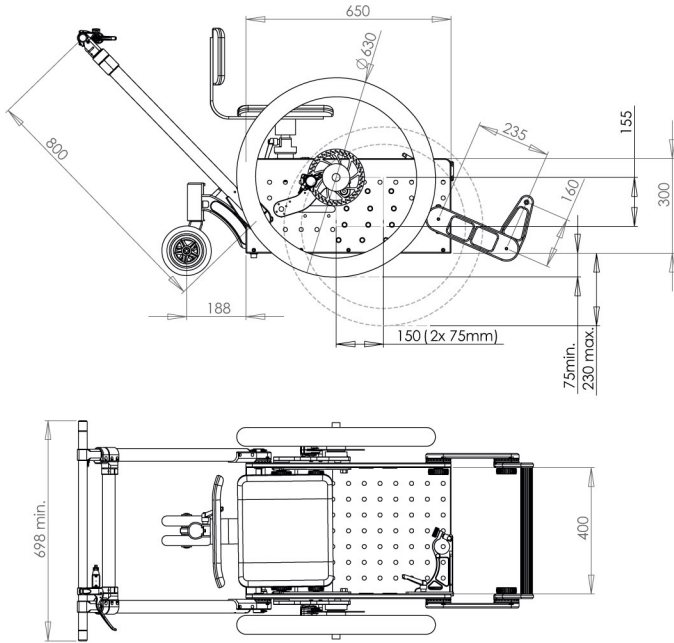


RICKSHAW DOLLY®

VISION AND ACTION WITH VERSATILITY, INNOVATION AND RELIABILITY



The **Rickshaw Dolly®** is the best available, technically most simple, yet most sophisticated solution that offers a unique range of possibilities.



specifications

- Oil-hydraulic disk brakes
- Sturdy but light weight body
- Easy to adjust seat, push handles and footrest
- 24" ballon tires for a soft ride
- 21" Big Feet for rough terrain
- Adjustable wheel height
- Fits through a 28 inch door way
- Additional 6" third wheel made out of ball bearing twin wheels



**Hans
ellner
Works**

UG (Haftungsbeschränkt)

Admiralitätstraße 74
D-20459 Hamburg
+49(0)40 - 36 72 29 fax / ORDERLINE
www.rickshawdolly.com
hans@rickshawdolly.com

registered rights: ©DE 20 2009 009 997.0 ©EU 001075469-0001

CHECK OUR WEBSITE FOR INTERNATIONAL AVAILABILITY AND RENTALS - CLICK THE LINK TO OUR WEBSITE FOR MORE INFORMATION

Big Feet



To remove the wheels, jack up the *RICKSHAW DOLLY*®. Hold the wheel in place and loosen the wheel bolt with a Size 8 Allen wrench.

Remove the wheel bolt from the guide and push the wheel out of the brake caliper. Block the brake piston using the retainer lock.

size	air pressure
21"	max 0,8 bar/max 11,6 psi

Big Feet



Bring the Big Feet in position and screw the wheel bolt in.

Wheel arm/wheel standard position:
Middle horizontal, second vertical row.

Please note:
Manual, Operation and assembly instructions/
6. main wheel unit



Not for gravel and other sharp-edged surfaces!



Hans
ellner
Works

UG (Haftungsbeschränkt)