

Scorpio 17'

"a new three-section light weight telescopic crane"



The NEW **Scorpio 17'** is a three section light telescopic crane for payloads until 60 Kg in under slung and 40 Kg in over slung.

Servicevision has designed the **Scorpio 17'** like a longer version of the **Scorpio 10'** to provide to film market the best crane for car shootings or interior sets.

The **Scorpio 17'** has a dolly/base with articulated arms that allows to change its with for standard dolly tracks of 62 cm and for 40 cm **Scorpio tracks**, it also allows a very small and compact configuration for taxing to go through standard office doorway (80 cm)... place your **Scorpio 17'** everywhere needed.

It also has a telescopic column that risers-up an extra 36 cm.

Features:

Two different operation modes:

- **Electronic:** Is a standard mode that allows telescopic electronic movement, powering the crane by batteries or power unit
- **Manual:** is a new model that allows to create manual movements, where the operator will be able to move the telescopic by using the hands and the arm and the head will follow according keeping the horizon.

New generation of Levelling Head:

- With real horizon
- Allows to create a manual movement on the arm, levelling the head to the horizon.
- Adjustable level offset, both manually and electronically.
- Over-slung and under-slung capability.

As every **Scorpio** telescopic crane, the new **17'** preserves the excellence of its bigger brothers

Basic Features with the standard Electronic Box Control (without screen).

- Automatic compensator of the arc generated by the movement of the arm in both horizontal and vertical.
- Programmable Electronic limits for the arm range.
- Adjustable arm speed and stop damping adjustable.
- Tilt, Pan and Arm encoder reading for motion capture jobs.

Advanced features: The Electronic Box Control has a removable display that will give access to some information and features additional to the standard EBC, such:

- Screen display of the arm range, vertical and horizontal angles, height to the optic axis in meters and feet, the speed and the damping.
- Movement Generator of the telescopic arm in relation to the horizontal or vertical movement.
- Capability of memorizing the telescopic movement of the arm.
- The Stop Sequence will program different range modes for the telescopic arm.

New features:

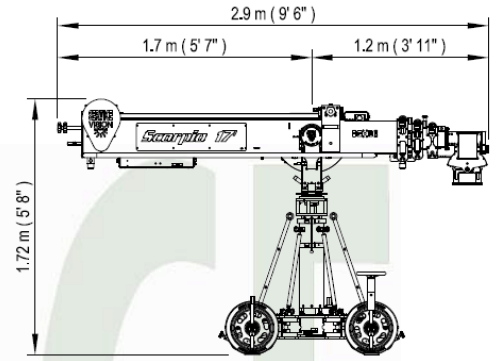
System for Tracking the camera position in 3D.

It is a camera tracking system for virtual studio and augmented reality **Scorpio Cranes**, headsand travelling can perform camera tracking with **STPE** and **MO-SYS** integration systems for real time augmented reality and virtual studio broadcasting.

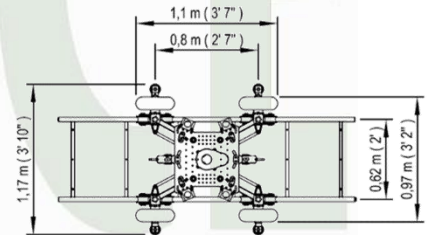
Scorpio Crane and Scorpio Head INTERFACE

Interfacing possibility between **Scorpio Head** and **Crane**, allowing us to perform back-pan and targeting, where the head will follow a target previously chosen by setting the distance, according to the movements of the crane (pan, tilt and telescopic movements). Also, the synchronization for the memory menus.

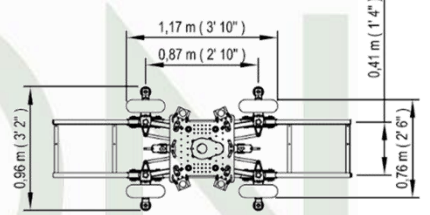
This new feature is available now for any **Scorpio** crane.



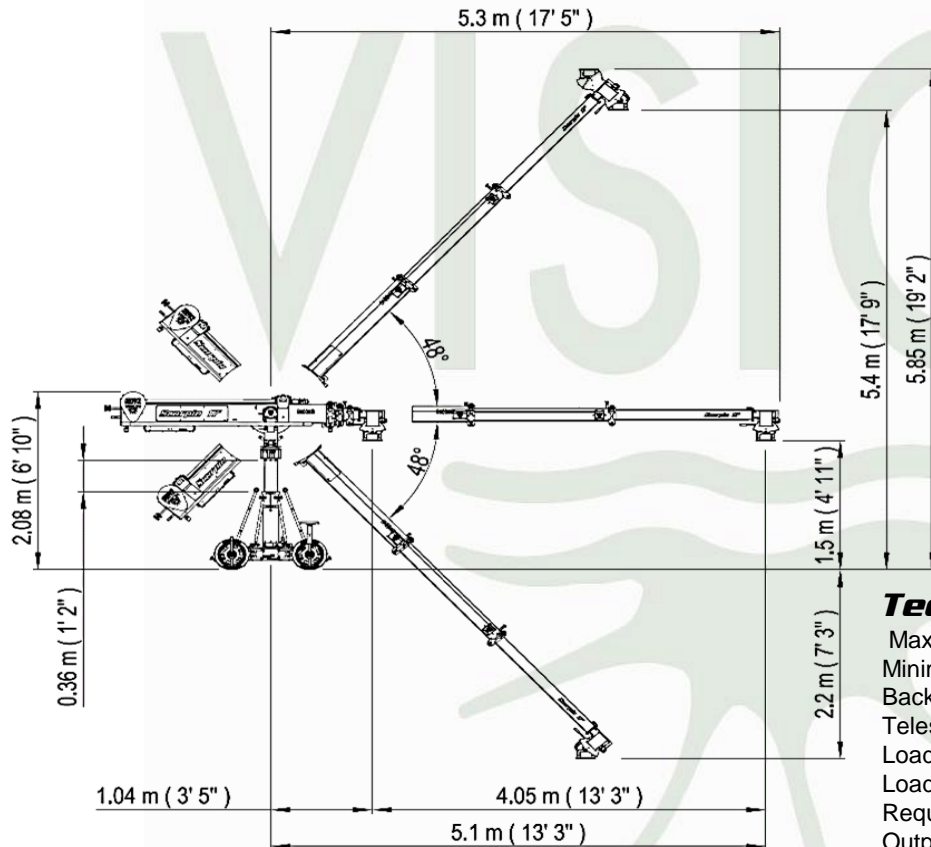
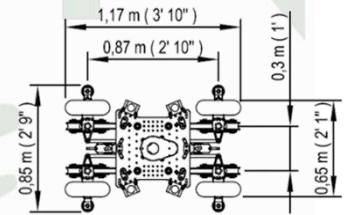
0,62 m (2') TRACKS



0,41 m (1'4") TRACKS



SMALLEST CONFIGURATION (FOR TRANSPORT ONLY)



Technical specifications:

Maximum length:	5,3 m (17'5")
Minimum length:	1,04 m (3'5")
Back length of the arm:	1,7 m (5'7")
Telescopic range:	4,05 m (13'3")
Loading capacity under-slung:	60 kg / 132 lb
Loading capacity over-slung:	40 kg / 88 lb
Required Power:	DC 30 V / 40 A
Output Power for the monitor:	12 V / 3 A
Arm Weight:	121 kg
Crane weight (without payload nor CW)	280 kg
Arm speed	1.5 m/s

SERVICEVISION BIS S.L.

Calle Ríos Rosas, 20
08940 Cornellà de Llobregat
Barcelona, Spain
Phone +34 93 2238630
Fax +34 93 2238631
comercial@servicevision.es
www.servicevision.es



@servicevision



@servicevision_scorpia



@ServicevisionScorpia

Scorpio 17'

Scorpio 17' Specs

Maximum length:	5.3 m/17'5"
Minimum length:	1.04 m/3'05"
Back length of the arm:	1.70 m/5'7"
Telescopic range:	4.05 m/13'3"
Loading capacity in under-slung:	60 Kg/132 lbs
Loading capacity in over-slung:	40 Kg/88 lbs
Required Power:	DC 30 V / 40 A
Output Power for the monitor:	12 V / 3 A
Arm weight:	121 Kg
Crane weight(without payload nor CW):	280 Kg
Arm speed:	1.5 m/s